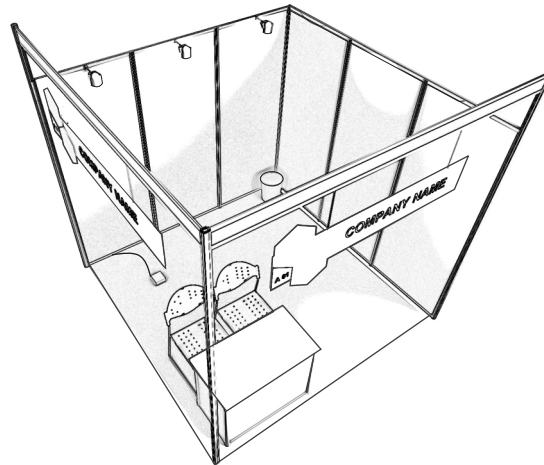
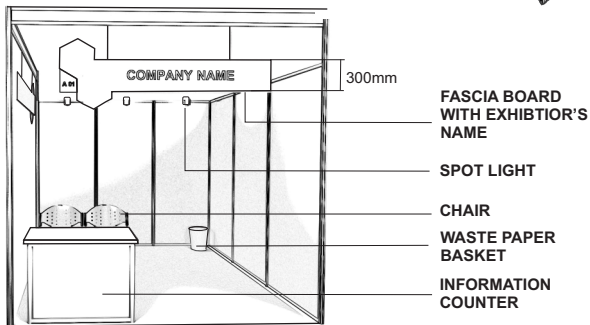


LAYOUT OF STANDARD SHELL SCHEME BOOTH

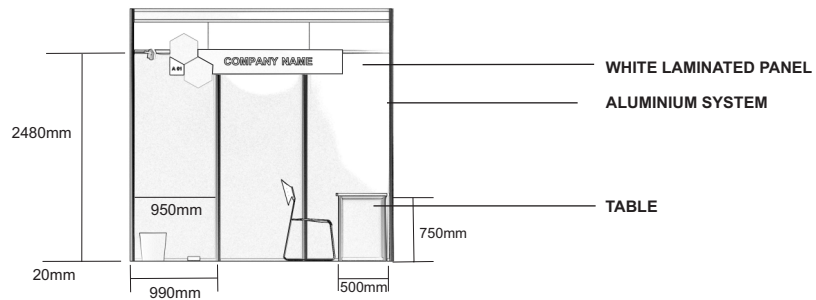
overall view



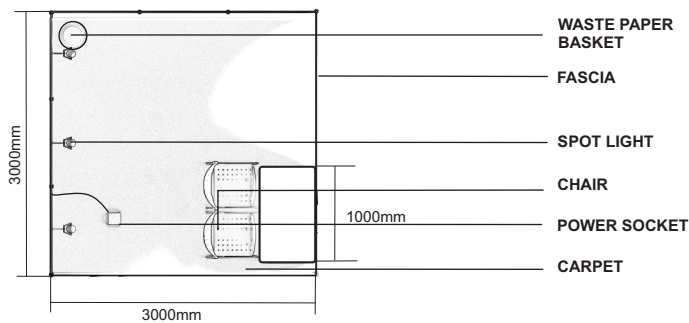
FRONT PERSPECTIVE VIEW



SIDE SECTIONAL ELEVATION



FLOOR PLAN



Important Information